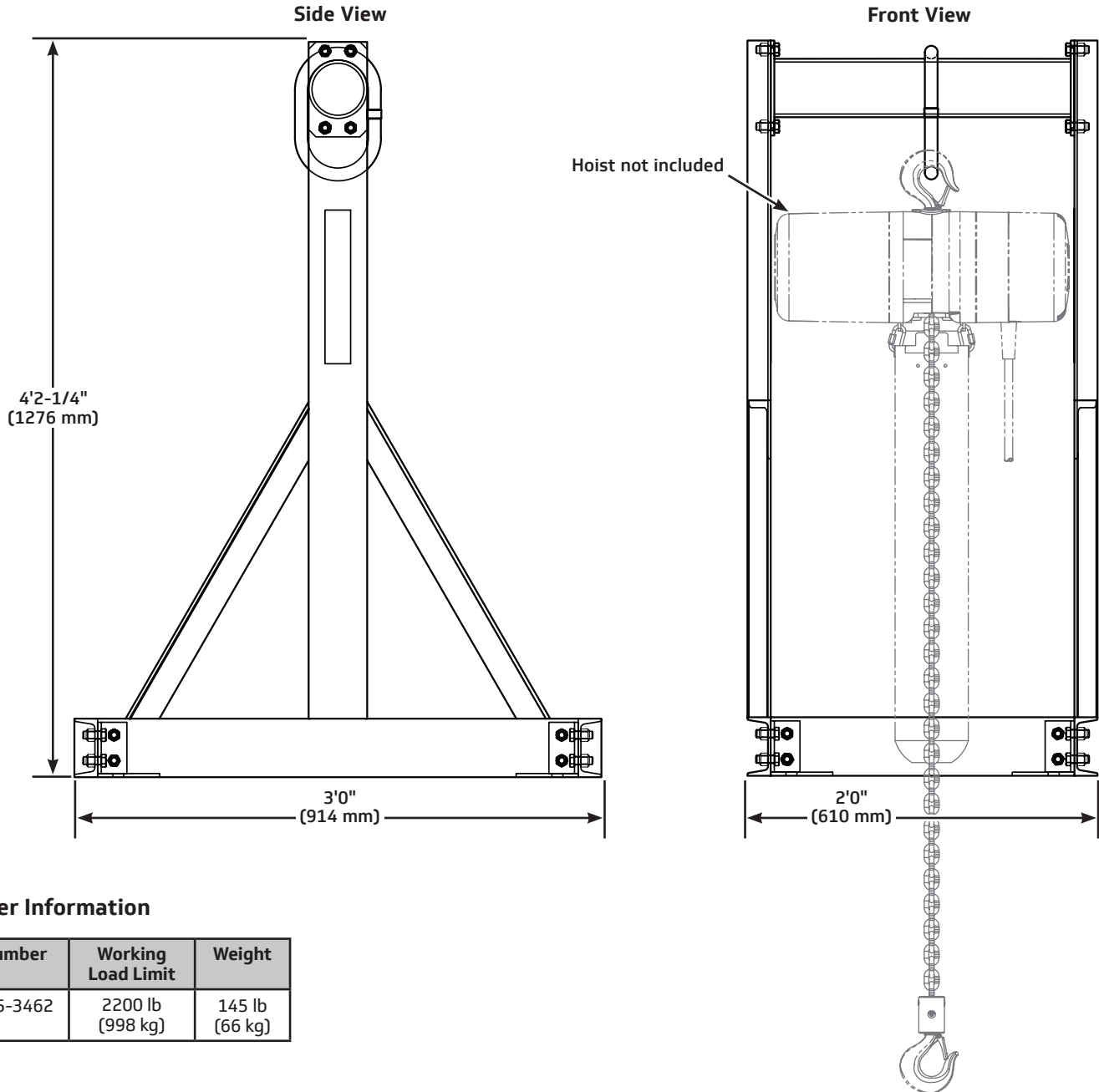


Chain Hoist Grid Stand

- 2200 lb (998 kg) capacity
- Stable base allows stand to be moved around the grid and used without additional anchoring
- Sliding adjustable chain hoist support bracket for positioning
- Can be disassembled for storage
- Rugged steel construction
- Three-year warranty against defects in materials or workmanship is provided on all J.R. Clancy equipment, additional warranty information is available at jrclancy.com

Dimensions



Order Information

Number	Working Load Limit	Weight
015-3462	2200 lb (998 kg)	145 lb (66 kg)

